

XCALIBUR 11

HX150-11-18G

HX 150m Extender Pair with RS232, 2x IR & PoC



Xcalibur 11



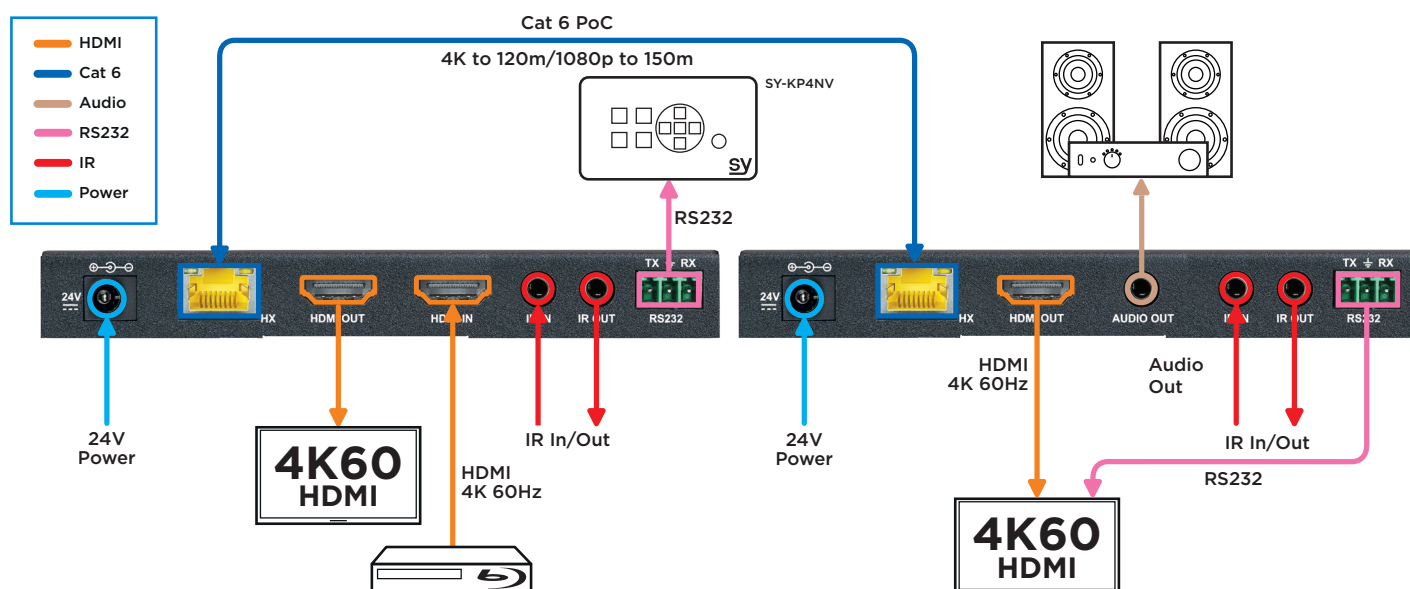
HX150-11-18G

We have introduced this innovative new range to satisfy the demands of the Professional System Integrator. With included important functions developed and carried over from our other class leading products. Using the new HX technology, XCALIBUR can send HDMI 2.0 signals further. Transmit 18Gig 4K @60hz RGB 4:4:4 to 120m and 1080p to 150m. The innovation continues, with the HX150-11-18G having all the core features such as Bi-directional IR, RS232 Control, RS232 Pass Through, built-in down-scaler for 4K60 4:4:4 to 1080p, Audio De-embed Output, the Video Keep Alive function maintains video output when there is no signal detected, PoC, Support and management of HDCP 1.4 and HDCP 2.2 or Cascade Mode, and EDID. Test Pattern Generator with Checkerboard or Solid Colour Patterns at 4K60 4K30 or 1080p.

FEATURES

- **HX Ports for Long Range Reliable Transmission - 1080p to 150m, 4K60 to 120m**
- **HDMI 2.0 18Gbps 4K60 4:4:4**
- **Down Scaler - 4K to 1080p**
- **Poc - Power from either end**
- **HDCP Management - Discrete control of HDMI & HX ports HDCP 2.2, 1.4, or Cascade**
- **EDID Management - Discrete control of HDMI & HX ports. Pass-through, or user Memory option**
- **Test Pattern Generator - 6 Test Patterns 4K@60, 4K@30, 1080p@60**
- **Video Keep Alive - Perfect for projectors**
- **Audio Support - HDMI Pass through to 7.1 Ch**
- **Audio De-embedder - via a 3.5 jack as stereo analogue audio**
- **IR Control - Pass-through bi-directional IR ports**
- **RS232 Control - Bi-directional Addressable RS232 Pass through port**
- **Control Parameters - TX/RX Control through the USB interface RS232 connection**
- **CEC Control - Pass-through to Control a Device**

CONNECTIVITY ILLUSTRATION



XCALIBUR 11

HX150-11-18G

HX 150m Extender Pair with RS232, 2x IR & PoC



SPECIFICATIONS

PART NUMBER	SY-HX150-11-18G		
VIDEO RESOLUTIONS/FORMATS	All HDMI and PC resolutions up to 4K2K 60Hz 4:4:4		
BANDWIDTH	18Gbps		
HDCP	Supports all version up to 2.2		
INPUTS	Video 1x HDMI 2.0		
OUTPUTS	HX 1x RJ45	Video 1x HDMI 2.0	Audio 1x 3.5mm Jack Socket
CONTROL	IR 'Pass-Through' Input and output via 3.5mm jack RS232 via Micro USB		
POWER SUPPLY	24V DC, 1A, 2.1mm barrel jack		
POWER CONSUMPTION	2.75W - Transmitter, 7.25W - Receiver, 10W Max. (Transmitter + Receiver)		
WEIGHT AND DIMENSIONS	Weight (net) 0.250kg (each)	Size (WHD) 140 x 18 x 65mm	
WHAT'S IN THE BOX	1x HX150-11-18G T 1x HX150-11-18G R 2x Pairs of mounting plates 2x 3-way Screw Terminal Connectors 1x IR Emitter 1x IR Receiver 1x 24V 1A Power Supply 1x User manual		

SY-HX150-11-18G Data Sheet 01. Details subject to change with no prior notice. ©SY Electronics 2021