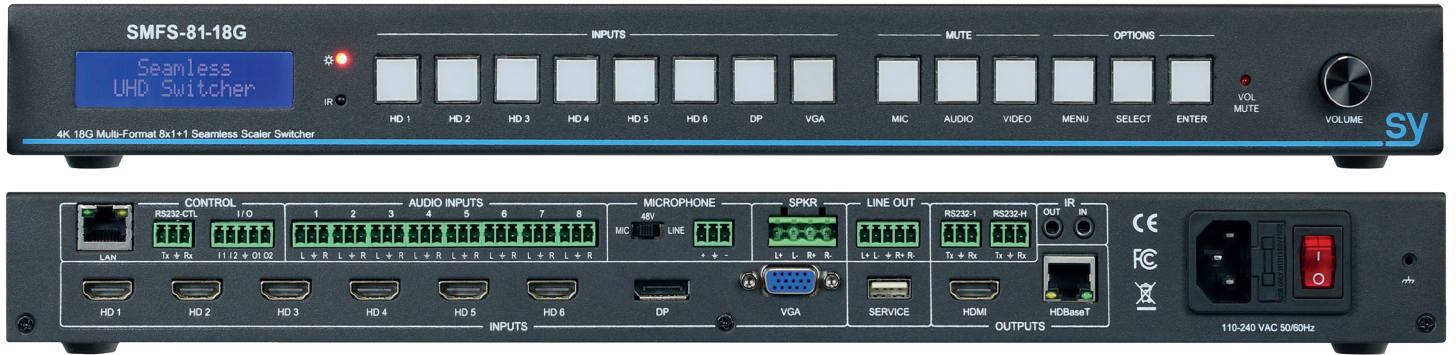


4K 18G Multi-Format 8x1+1 Seamless Scaler Switch SMFS81-18G



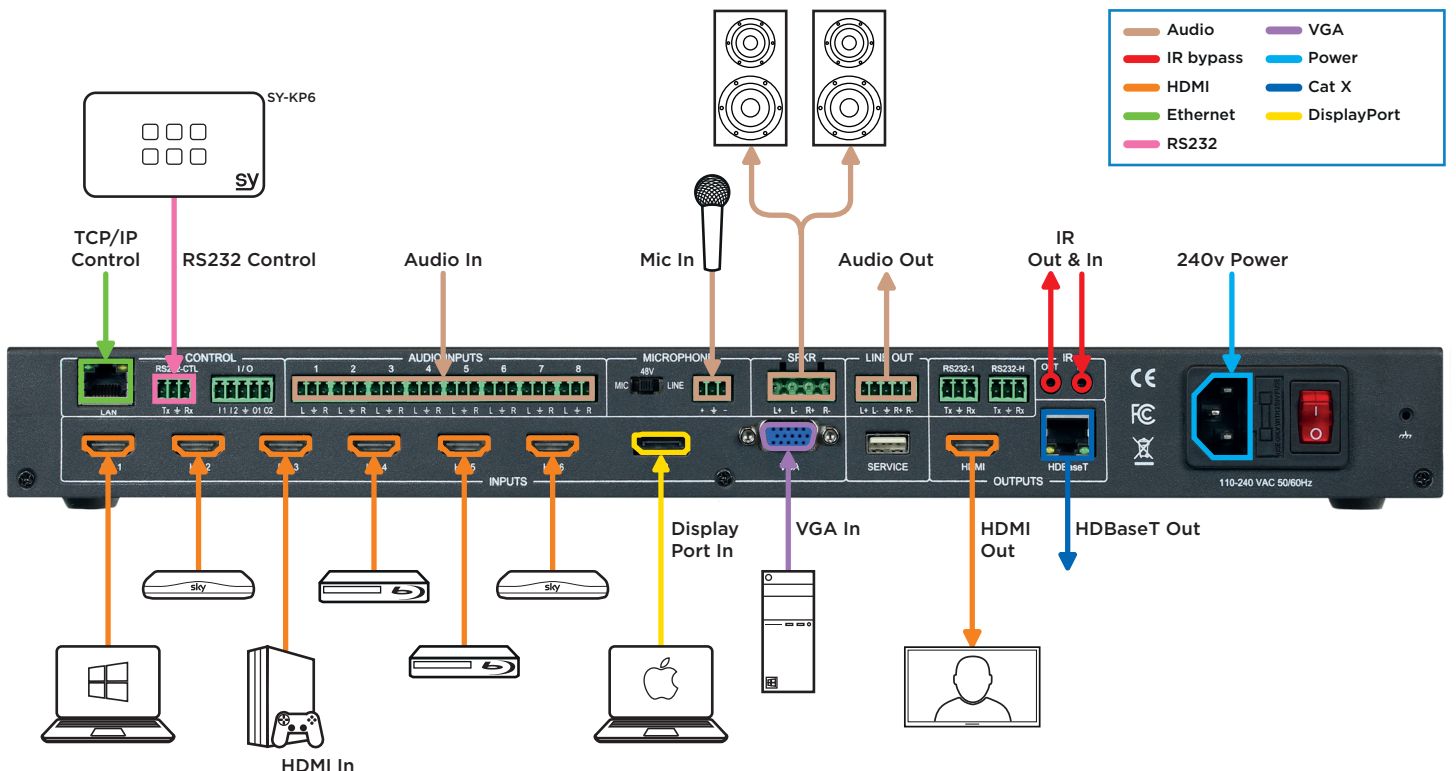
SMFS81-18G

This versatile seamless multi-format scaling switcher is capable of video resolutions up to 4K60 4:4:4 18G. Inputs include 6 HDMI, 1 DisplayPort and 1 VGA with two mirrored outputs for HDMI local display and an HDBaseT. Each HDMI input can be individually set to use its own embedded audio or any one of the eight external analogue audio inputs. The unit can be controlled via RS232, Lan with built-in WebGUI, I/O Contact Closure and IR with 6 built-in EDID settings, or auto (EDID bypass) mode. The SMFS-81-18G also includes 1 mic/line input with Phantom Power and 2x 20W Stereo Speaker Output all in an easy to install 19", 1U rackmount unit, making it suitable for a wide variety of applications, such as classrooms, lecture halls and meeting rooms.

FEATURES

- All resolutions up to 4K60 4:4:4 18G supported on all HDMI inputs
- Powerful output Scaler resolution up to 4K60 4:4:4
- EDID options of 6 built-in settings, or auto (EDID bypass) mode
- 8 video inputs – 6 HDMI, 1 DisplayPort and 1 VGA
- 8 audio analogue inputs
- 1 microphone input
- 1 local HDMI output
- 1 HDBaseT output
- Balanced stereo audio output
- Stereo speaker output – 2x 20W max.
- IR IN & IR OUT for HDBaseT port

CONNECTIVITY ILLUSTRATION



4K 18G Multi-Format 8x1+1 Seamless Scaler Switch

SMFS81-18G



SPECIFICATIONS

PART NUMBER	SY-SMFS81-18G	
VIDEO RESOLUTIONS/FORMATS	All HDMI resolutions to 4096x2160p 60Hz 4:4:4	
BANDWIDTH	18Gbps	
HDCP	Compatible with all versions up to 2.2v	
HDMI	HDMI 2.0	
DisplayPort Version	DP 1.2	
VGA Version	VESA	
INPUTS	Video 6x HDMI type A 2.0v 1x Display port 1x VGA	Audio 8x audio analogue
OUTPUTS	Video 1x HDMI type A 2.0v	Audio 8x audio analogue
CONTROL	IR RS232	
POWER SUPPLY	110-240V AC	
POWER CONSUMPTION	60W max.	
WEIGHT AND DIMENSIONS	Weight (net) 4kg	Size (WHD) 430 x 220 x 44 mm (Without rack mounted ears and other connectors)
WHAT'S IN THE BOX	1x SMFS81-18G 1x SMFS81-18G User manual 2x Rack mounting brackets (already fitted) 9x 3 pin female captive screw connector 1x 4 pin female captive screw connector 1x 5 pin female captive screw connector 1x AC Power cord	

SY-SMFS81-18G Data Sheet 01. Details subject to change with no prior notice. ©SY Electronics 2019