

SY DIN RAIL MOUNTING RELAYS



SY now has three DIN rail mountable relay solutions for use with the SY-KPxx range of programmable keypads:

1. KP-LVC-DIN For low voltage applications up to 12V DC
2. KP-HV2C-DIN For mains voltage applications up to 240V AC
3. KP-HV2M-DIN

These relay solutions are available in both high voltage, for switching 240V AC applications, and low voltage for switching applications using 12V DC. The relays can be controlled directly from the digital outputs of any SY keypad.

KP-LVC-DIN

The KP-LVC-DIN provides two independently controllable change over relay contact that can switch up to 12V DC at 20A max.

KP-HV2C-DIN

The KP-HV2C-DIN provides two independently controllable normally open output contacts that are powered from a common live connection that can switch up to 240V AC at 7A max.

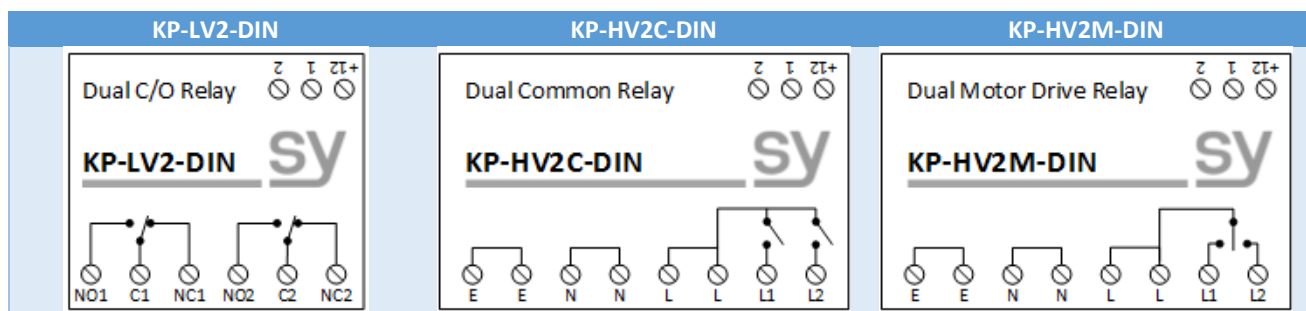
KP-HV2M-DIN

The KP-HV2M-DIN is designed for controlling bi-direction AC motors with a failsafe feature such that when only one input is selected then only one output relay is energised. However, if both inputs get selected at the same time then there will be no output voltage from either of the two output contacts.

Relay Output States

Input 1	Input 2	Output 1	Output 2
Low	Low	Off	Off
High	Low	On	Off
Low	High	Off	On
High	High	Off	Off

Connection Diagrams



The top connections labelled +12, 1 and 2 connected to the Output connector terminals of the SY keypad. The bottom connections are the independently controllable relay outputs, please refer to the above Relay Output States table for the contact operation of the KP-HV2M-DIN relay.

Contact Ratings

Product	Voltage	Maximum Current
KP-LV2-DIN	12V DC	20A
KP-HV2C-DIN and KP-HV2M-DIN	240VAC	7A