



# DNH

HEAD OFFICE, NORWAY  
DNH AS

Phone..... + 47 35 98 56 00  
Fax..... + 47 35 98 56 10  
E-mail..... dnh@dnh.no  
Web-Site..... www.dnh.no

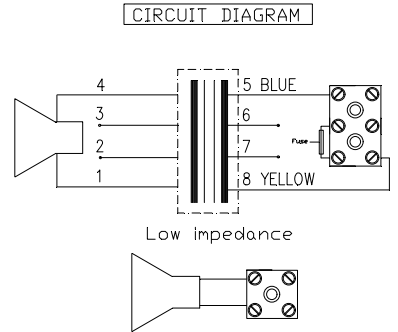
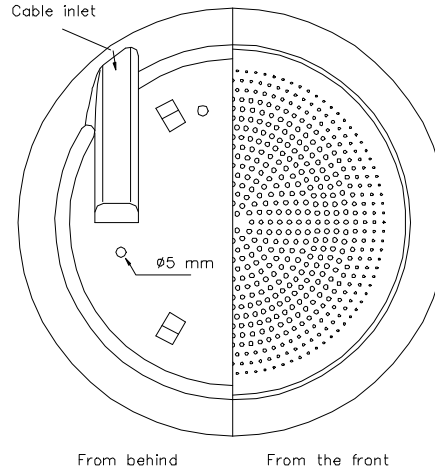
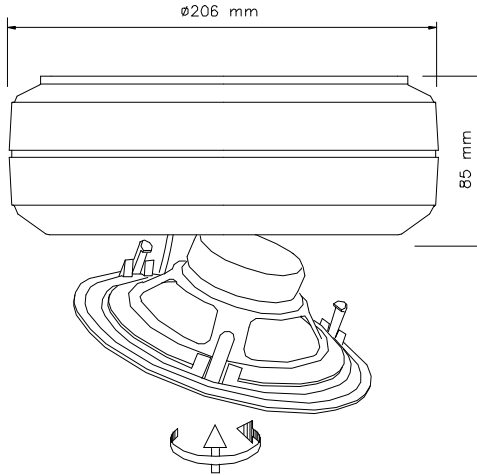
ENGLAND  
DNH WW Ltd  
Phone..... + 44 1908 275 000  
Fax..... + 44 1908 275 100  
E-mail..... dnh@dnh.co.uk

GERMANY  
DNH GmbH  
Phone... + 49 040 6569 30-0  
Fax..... + 49 040 6569 30-30  
E-mail..... dnh@dnh.de

USA  
DNH Speakers Inc  
Phone..... + 1 484 494 5790  
Fax..... + 1 484 494 5793  
E-mail..... dnh@dnhspeakers.com

## BLC-550(T) SAUNA

ISO 9001 CERTIFIED



Secondary nominal tapings	
1 : 4	6,0 W
1 : 3	3,0 W
2 : 4	2,0 W
1 : 2	1,5 W
3 : 4	0,9 W
2 : 3	0,5 W

Sound pressure levels at 1W/1m with P5/15T  
**SPL vs Freq**



### Specifications

Material / Color	PA6 / Black
Mounting	Four screws
Termination	Ceramic terminal
Weight w/transformer	0,93 kg
IP	N/A
Max. / min. amb. temp	125°C / -30°C
Rated / max. power	6 W / 6 W
SPL 1W/1m	86 dB
SPL rated power	93 dB
Effective freq. range	150 – 11000 Hz
Dispersion (-6dB) 1kHz / 4kHz	160° / 70°
Options	Impedances, colors, labels

### Installation, Operation and Maintenance Procedures

- Open the loudspeaker by turning the grill counter clockwise.
- Lead cable through cable inlet, connect to terminal and select required tapping on transformer.
- Screw the cabinet to the wall or ceiling with four screws.
- Screw the loudspeaker front gently clockwise into fixed position
- For optimum performance, always use the correct voltage / power and operate within the frequency limits as stated.
- Do not open loudspeaker when energized.
- This loudspeaker is supplied with two years warranty against defective workmanship.

DNH reserves the right to alter specifications without notice

